

**BALDOR • RELIANCE**

---

# Customer information packet

## RL1206A

.33HP, 1725RPM, 1PH, 60HZ, 56, 3414L, OPEN, F1

GALCO INDUSTR ELEC

Class - None

Division - Not Applicable

## Specifications

Enclosure	OPEN
Frame	56
Frame Material	Steel
Frequency	60.00 Hz
Output @ Frequency	.330 HP @ 60 HZ
Phase	1
Synchronous Speed @ Frequency	1800 RPM @ 60 HZ
Voltage @ Frequency	115.0 V @ 60 HZ 230.0 V @ 60 HZ
XP Class and Group	None
XP Division	Not Applicable
Agency Approvals	UR CSA
Ambient Temperature	40 °C
Auxillary Box	No Auxillary Box
Auxillary Box Lead Termination	None
Base Indicator	Resilient
Bearing Grease Type	Polyrex EM (-20F +300F)
Blower	None
Current @ Voltage	3.000 A @ 230.0 V 3.600 A @ 208.0 V 6.000 A @ 115.0 V
Design Code	N
Drip Cover	No Drip Cover
Duty Rating	CONT
Efficiency @ 100% Load	60.0 %
Electrically Isolated Bearing	Not Electrically Isolated
Feedback Device	NO FEEDBACK
Front Face Code	Resilient Mount
Front Shaft Indicator	None
Heater Indicator	No Heater
High Voltage Full Load Amps	3.0 a

## Part detail

Revision	G
Type	AC
Mech. spec.	34K018
Base	
Status	PRD/A
Elec. spec.	34WG5599
Layout	34LYK018
Eff. date	10-12-2019
CD Diagram	CD0052
Poles	04
Leads	7#18
Proprietary	False
Created date	03-19-2013

<b>Insulation Class</b>	B
<b>Inverter Code</b>	Not Inverter
<b>KVA Code</b>	L
<b>Lifting Lugs</b>	No Lifting Lugs
<b>Locked Bearing Indicator</b>	No Locked Bearing
<b>Motor Lead Exit</b>	Terminal Panel
<b>Motor Lead Quantity/Wire Size</b>	7 @ 18 AWG
<b>Motor Lead Termination</b>	Flying Leads
<b>Motor Standards</b>	NEMA
<b>Motor Type</b>	3414L
<b>Mounting Arrangement</b>	F1
<b>Number of Poles</b>	4
<b>Overall Length</b>	10.96 IN
<b>Power Factor</b>	60
<b>Product Family</b>	General Purpose
<b>Pulley End Bearing Type</b>	Ball
<b>Pulley Face Code</b>	Resilient Mount
<b>Pulley Shaft Indicator</b>	Standard
<b>Rodent Screen</b>	None
<b>RoHS Status</b>	ROHS COMPLIANT
<b>Service Factor</b>	1.15
<b>Shaft Diameter</b>	0.625 IN
<b>Shaft Extension Location</b>	Pulley End
<b>Shaft Ground Indicator</b>	No Shaft Grounding
<b>Shaft Rotation</b>	Reversible: Connected Standard
<b>Shaft Slinger Indicator</b>	No Slinger
<b>Speed</b>	1725 rpm
<b>Speed Code</b>	Single Speed
<b>Starting Method</b>	Direct on line
<b>Thermal Device - Bearing</b>	None
<b>Thermal Device - Winding</b>	None
<b>Vibration Sensor Indicator</b>	No Vibration Sensor
<b>Winding Thermal 1</b>	Automatic Thermal Overload
<b>Winding Thermal 1 Location</b>	SB

**Winding Thermal 2**

**None**

---

**Nameplate**

<b>NP1257L</b>									
<b>CAT.NO.</b>	RL1206A								
<b>SPEC.</b>	34K018-5599G1								
<b>HP</b>	.33								
<b>VOLTS</b>	115/230								
<b>AMP</b>	6/3								
<b>RPM</b>	1725								
<b>FRAME</b>	56			<b>HZ</b>	60		<b>PH</b>	1	
<b>SER.F.</b>	1.15	<b>CODE</b>	L	<b>DES</b>	N	<b>CL</b>	B		
<b>NEMA-NOM-EFF</b>	60	<b>PF</b>	60						
<b>RATING</b>	40C AMB-CONT								
<b>CC</b>				<b>USABLE AT 208V</b>	3.6				
<b>DE</b>	6203	<b>ODE</b>	6203						
<b>ENCL</b>	OPEN	<b>SN</b>							

## Parts list

Part number	Description	Quantity
SA260262	SA 34K018-5599G1	1.000 ea
RA247008	RA 34K018-5599G1	1.000 ea
EC1130A02SP	ELEC CAP, 130-156 MFD, 125V, 1.48D X 3.3	1.000 ea
34CB4501SP	TERMINAL BOX LID, STAMPED X (PLATED)	1.000 ea
51XW0832A07	8-32 X .44, TAPTITE II, HEX WSHR SLTD SE	2.000 ea
11XW0832G06	#8-32 X 3/8, TAPTITE II, HEX WSHR SLTD	1.000 ea
LD5000A52	LEAD ASSY W/INTERNAL STAR RING TERMINALS	1.000 ea
11XT1032A06	10-32 X 3/8 HX WSHR HD SLTD TYPE 23	2.000 ea
51XW0832A07	8-32 X .44, TAPTITE II, HEX WSHR SLTD SE	3.000 ea
34EP3202A01	FR ENDPLATE, MACH	1.000 ea
RM1000A03	CUSHION RING, MDL 17-33-34	1.000 ea
HA6004A01A	CLAMP CUSHION RING ASSY	1.000 ea
WD4100A01	DP-875 HEYCO PLUG OR 62MP0875 MICRO PLAS	1.000 ea
RM1000A03	CUSHION RING, MDL 17-33-34	1.000 ea
HA6004A01A	CLAMP CUSHION RING ASSY	1.000 ea
NS2500A01	INSULATOR, AUTO THER PROT	1.000 ea
34CB4800SP	CAPACITOR COVER, STAMPED PRIMED	1.000 ea
51XB1016A05	10-16X5/16HX WA SL SR TYB (F/S)	2.000 ea
WD1000A16	2-520128-2 AMP FLAG TERM (4M/RL) 22-18	6.000 ea
HW5100A03	WAVY WASHER (W1543-017)	1.000 ea
34EP3203A01	PU ENDPLATE, MACH	1.000 ea
XY1032A02	10-32 HEX NUT DIRECTIONAL SERRATION	4.000 ea
HW2501D13	KEY, 3/16 SQ X 1.375	1.000 ea
HA7000A04	KEY RETAINER 0.625 DIA SHAFTS	1.000 ea
85XU0407S04	4X1/4 U DRIVE PIN STAINLESS	2.000 ea
MG1000G27	MED CHARCOAL METALLIC GREY 400-0096	0.014 ga
WD1000A16	2-520128-2 AMP FLAG TERM (4M/RL) 22-18	7.000 ea
34BA4003A01SP	RESILIENT BASE, (LENGTH 8.22")	1.000 ea
SP5068A01	34L TERM PANEL STAT SWITCH #E-6"	1.000 ea
HA3100A12	THRUBOLT 10-32 X 7.375	4.000 ea
LB1118	LABEL,WARNING (ROLL LABEL)	1.000 ea

LC0052	CONNECTION LABEL	1.000 ea
MN416A01	TAG-INSTAL-MAINT no wire (1200/bx) 3/19	1.000 ea
NP1257L	ALUM UL CSA CC THERMAL REV MTG	1.000 ea
35PA1000	PKG GRP, PRINT PK1008A06	1.000 ea

**AC Induction Motor Performance Data**

Record # 50725

Typical performance - not guaranteed values

<b>Winding:</b> 34WG5599-R002		<b>Type:</b> 3414L		<b>Enclosure:</b> OPEN	
<b>Nameplate Data</b>			<b>230 V, 60 Hz: High Voltage Connection</b>		
<b>Rated Output (HP)</b>	.33		<b>Full Load Torque</b>	1 LB-FT	
<b>Volts</b>	115/230		<b>Start Configuration</b>	direct on line	
<b>Full Load Amps</b>	6/3		<b>Breakdown Torque</b>	2.95 LB-FT	
<b>R.P.M.</b>	1725		<b>Pull-up Torque</b>	2.55 LB-FT	
<b>Hz</b>	<b>60 Phase</b>	1	<b>Locked-rotor Torque</b>	3.6 LB-FT	
<b>NEMA Design Code</b>	<b>N KVA Code</b>	L	<b>Starting Current</b>	13 A	
<b>Service Factor (S.F.)</b>	1.15		<b>No-load Current</b>	2.6 A	
<b>NEMA Nom. Eff.</b>	<b>60 Power Factor</b>	60	<b>Line-line Res. @ 25°C</b>	6.32 Ω A Ph 4.93 Ω B Ph	
<b>Rating - Duty</b>	40C AMB-CONT		<b>Temp. Rise @ Rated Load</b>	43°C	
<b>S.F. Amps</b>			<b>Temp. Rise @ S.F. Load</b>	47°C	

**Load Characteristics 230 V, 60 Hz, 0.33 HP**

<b>% of Rated Load</b>	<b>25</b>	<b>50</b>	<b>75</b>	<b>100</b>	<b>125</b>	<b>150</b>	<b>S.F.</b>
<b>Power Factor</b>	31	41	51	60	66	72	64
<b>Efficiency</b>	34	49	56	60	62	63	61.2
<b>Speed</b>	1783	1765	1745	1730	1710	1680	1718
<b>Line amperes</b>	2.6	2.7	2.8	3	3.3	3.7	3.18

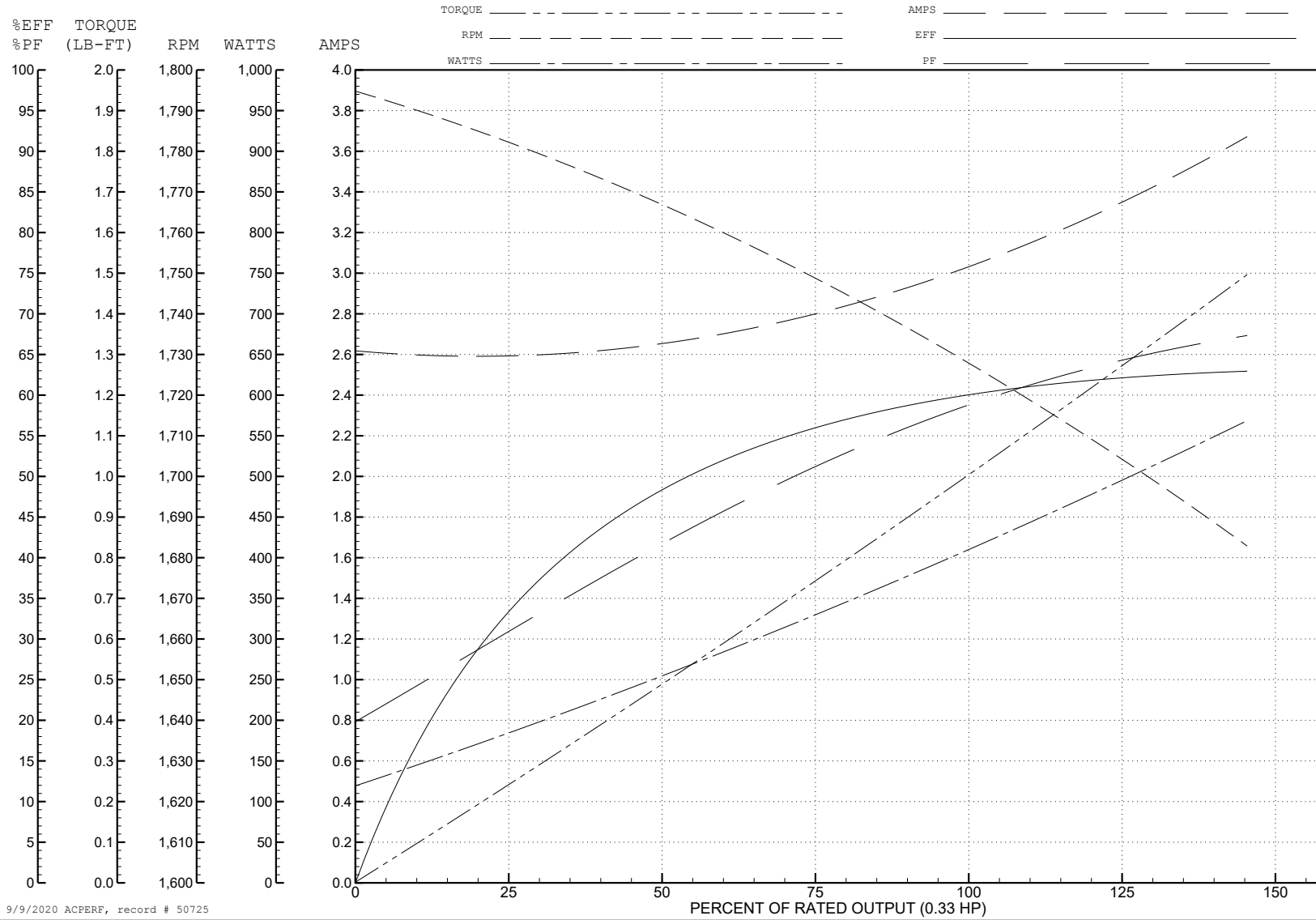
ABB Motors and Mechanical Inc.

WINDING # 34WG5599

0.33 HP 1 PH 60 HZ 1725 RPM 230 V 3414L

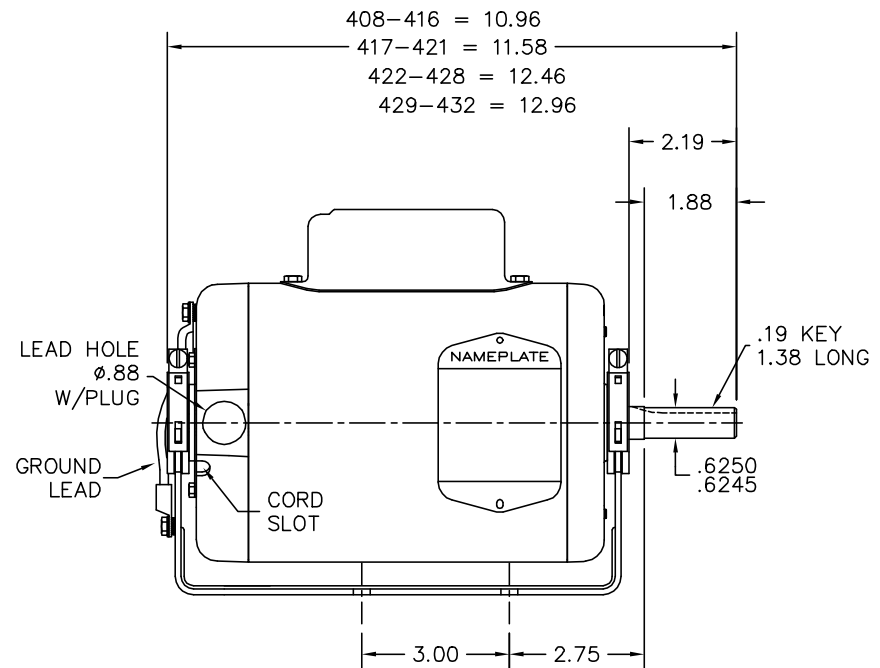
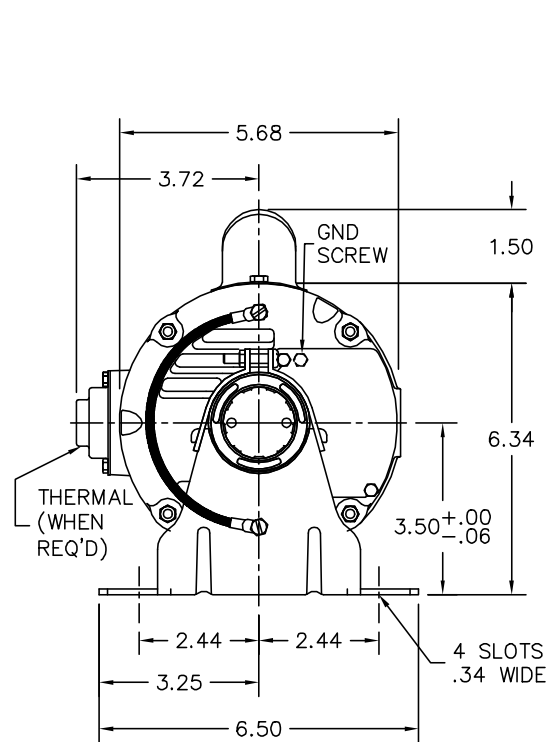
Typical performance - not guaranteed values.

TORQUES (LB-FT): PO=2.95 PU=2.55 LR=3.6 LRA=13



9/9/2020 ACPERF, record # 50725

34LYK018



CUSTOMER IS RESPONSIBLE FOR DETERMINING THAT BALDOR'S PRODUCT WILL PERFORM SUITABLY IN THE INTENDED APPLICATION.

REV. DESC: UPDATED LAYOUT		
REV. LTR: C	VERSION: 01	TDR: 000000789644
FILE: \AAA\00012\624	REVISED: 03:25:52 03/19/2013	
MTL: -	BY: ENBENB0	

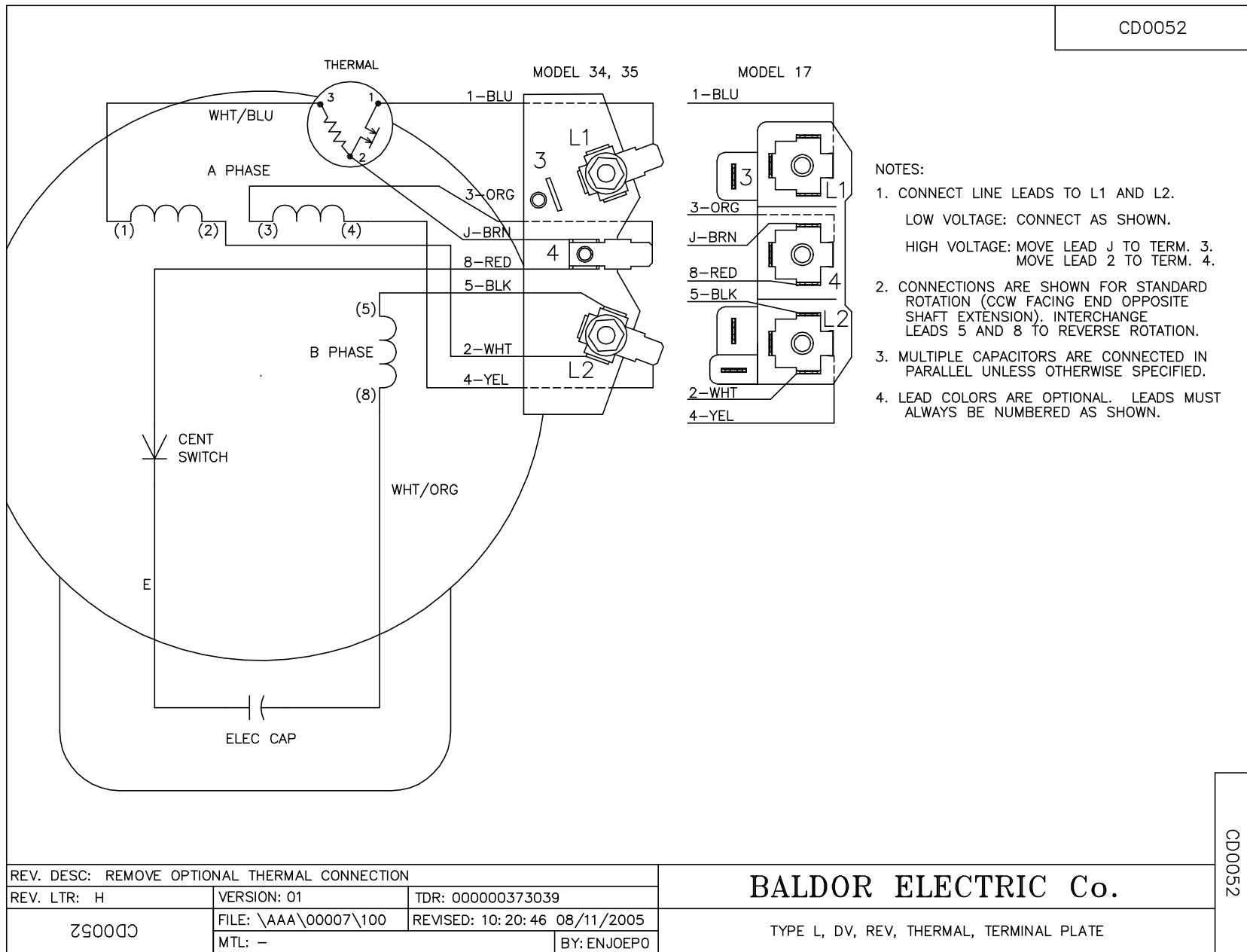
**BALDOR**

STD RESIL MTD 34L NEMA 56 OPEN W/TERM PLATE

SH 1 of 1

34LYK018

CD0052



REV. DESC: REMOVE OPTIONAL THERMAL CONNECTION		
REV. LTR: H	VERSION: 01	TDR: 000000373039
CD0052	FILE: \AAA\00007\100	REVISED: 10:20:46 08/11/2005
	MTL: -	BY: ENJOEPO

**BALDOR ELECTRIC Co.**

TYPE L, DV, REV, THERMAL, TERMINAL PLATE

CD0052